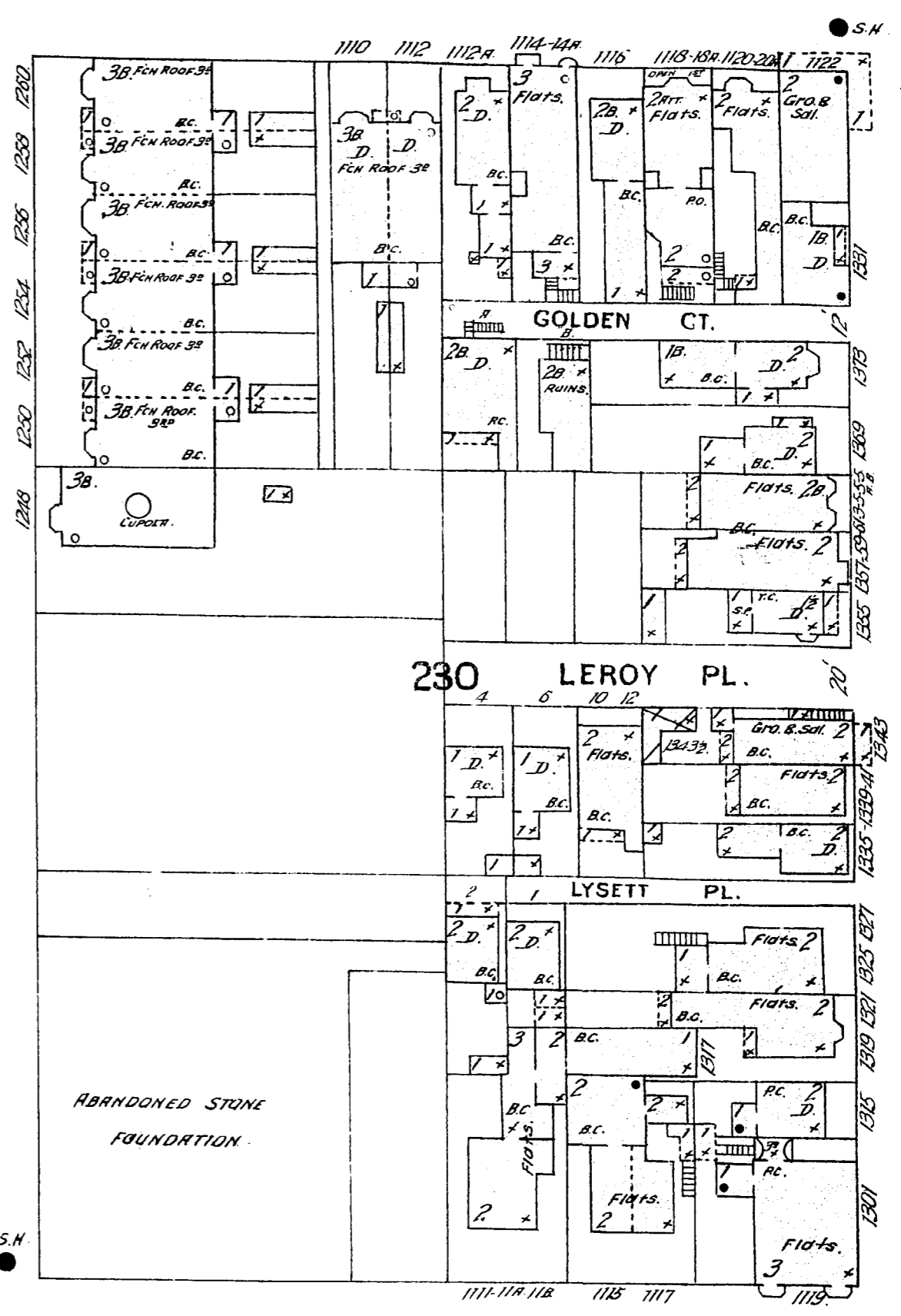
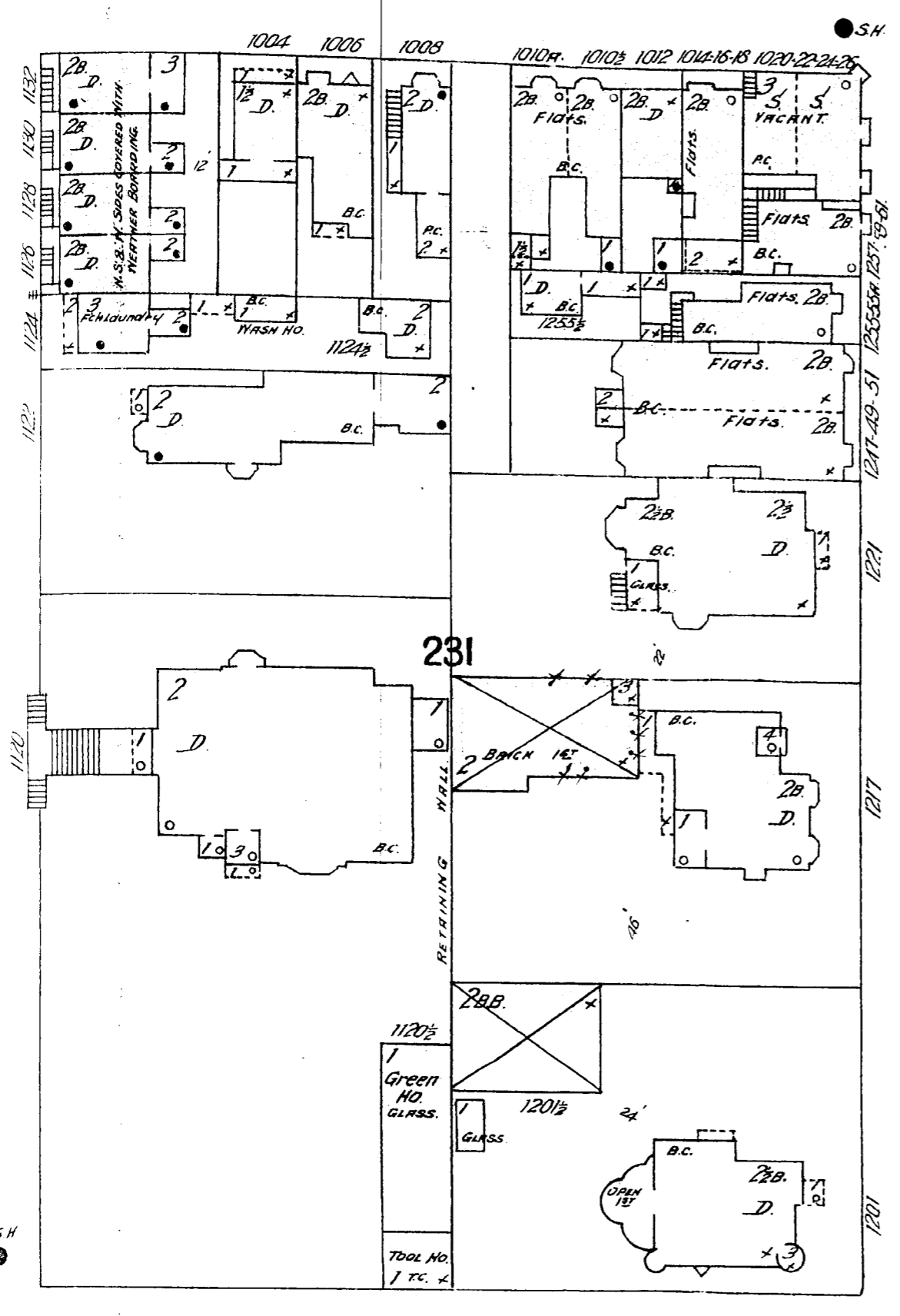


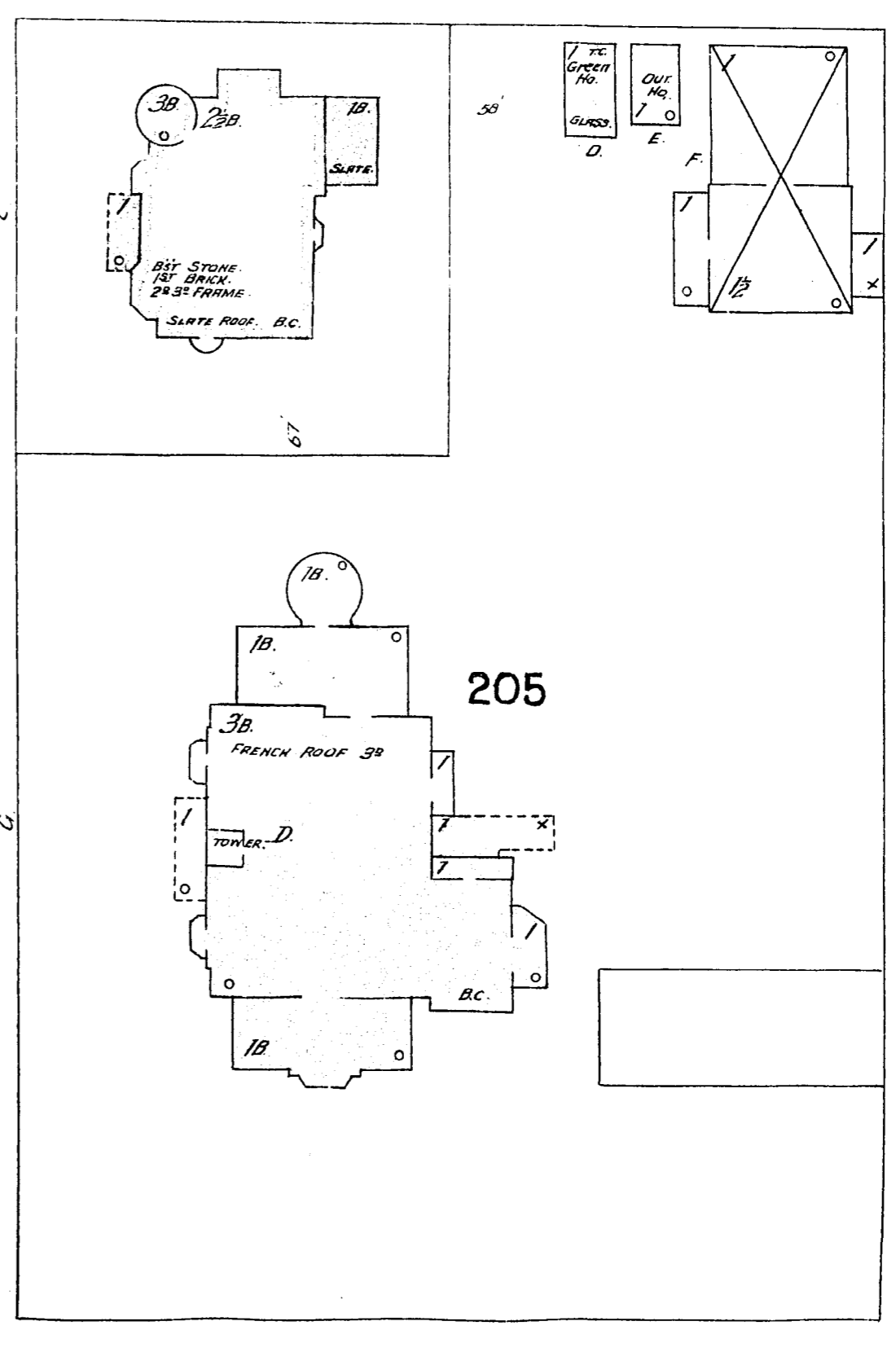
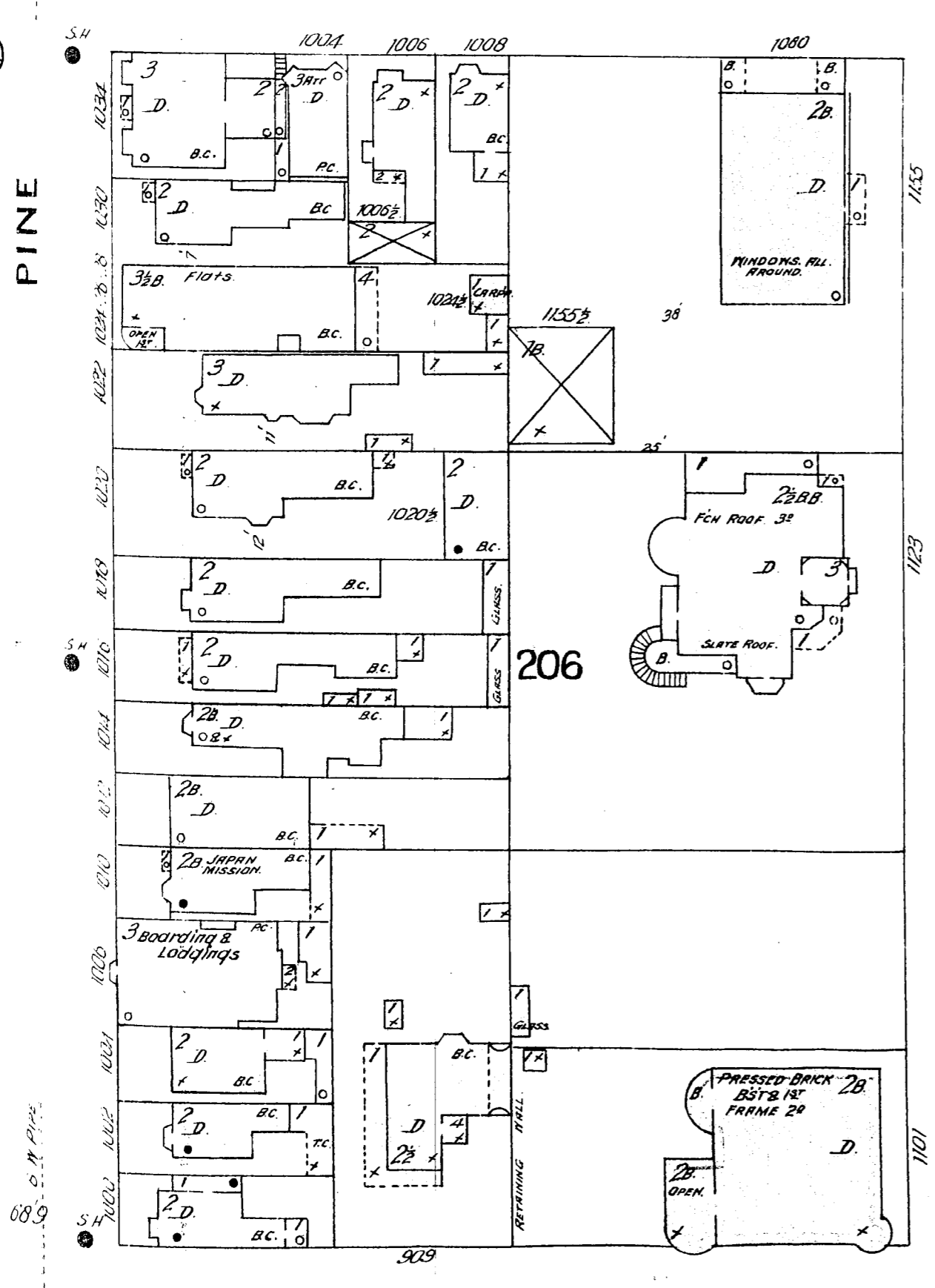
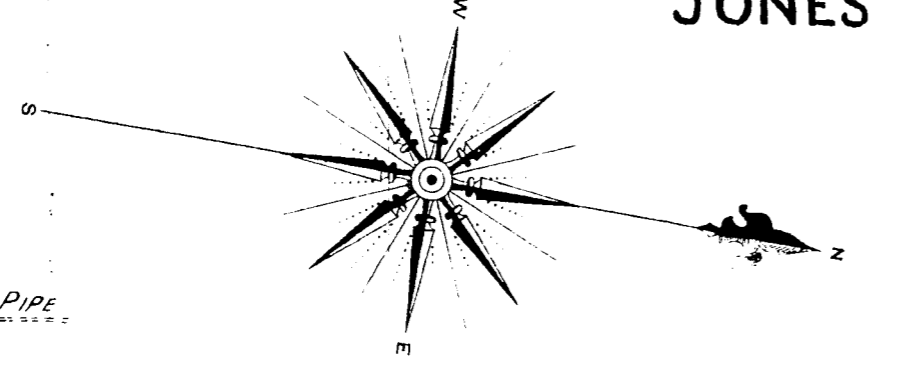
LEAVENWORTH ST.

ST.



JONES ST.

68'9\"/>



TAYLOR ST.

ST.

